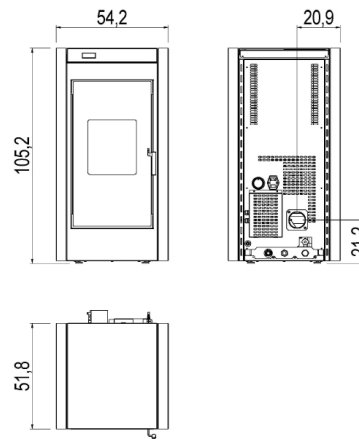


STOVE STRUCTURE CODE 7014013
 EAN 8033123614689
 STOVE STRUCTURE CODE 7014023 (BAFA)
 EAN 8033123615013

STEEL

- WHITE
6914003
EAN 8033123614788
- CHROME
6914004
EAN 8033123614795
- RED
6914002
EAN 8033123614771



EXTRA



Back exhaust



Overheating protection



Connection to the external thermostat



Daily weekly programming



Air temperature sensor



Water temperature sensor



Connection to the heating system

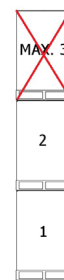
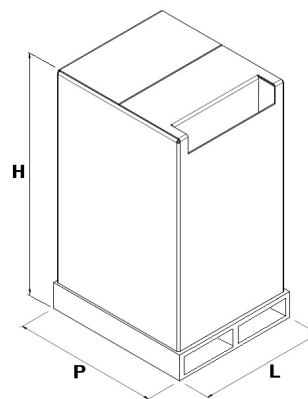


Cast iron burning pot

TECHNICAL DATAS

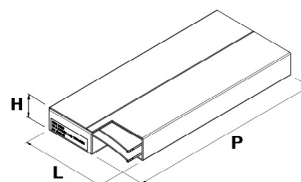
Nominal power	kW	11,6
Reduced power	kW	3,6
Nominal water useful power	kW	10
Reduced water useful power	kW	2,5
Nominal efficiency	%	91,5
Reduced efficiency	%	96
Heating volume (min-max)	m ³	86 - 278
Nominal CO at 13% O ₂	%	0,011
Reduced CO at 13% O ₂	%	0,034
Nominal dust content at 13% O ₂	mg/Nm ³	11
Boiler capacity (H ₂ O)	l	14
Hopper capacity	kg	24
Combustible		Pellet ø6
Hourly consumption (min-max)	kg/h	0,80 - 2,50
Autonomy (min-max)	h	36,0 - 10,0
Ignition electrical absorption (max)	W	420
Operating electrical absorption (max)	W	120
Supply and frequency	V - Hz	230 - 50
Chimney flue depression	Pa	10
Exhaust diameter	mm	80
Combustion air inlet diameter	mm	50
Mass of smoke (min-max)	g/sec	3,6 - 11,0
Exhaust fumes temperature (max)	°C	140
Net weight	kg	144
Gross weight	kg	154

PACKAGING AND STOCKING



L (cm)	68
H (cm)	133
P (cm)	80

LINING PACKING



LINING	L (cm)	H (cm)	P (cm)
Steel	54,5	12,5	107,5



Art. 15A B-VG 2015



BlmSchV 2015



Regensburg



München



Stuttgart



Aachen